



LED UFO HIGH BAY FIXTURE



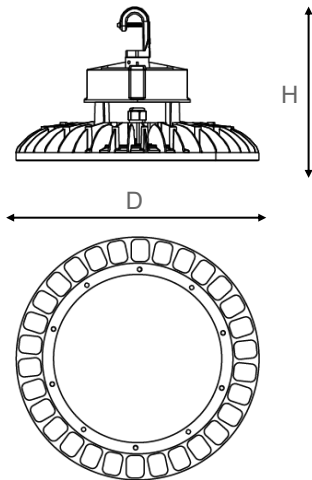
PRODUCT FEATURES

- Die-Cast Aluminum Alloy Housing
- Black Finish
- IP65 Rating - Suitable for Wet Locations
- 200-480 Voltage Rating, PF > 0.9, THD < 20%
- CRI > 80
- Mercury and UV Free
- Dimming: 1-10V, PWM, VR
- Flat Clear Glass Lens
- 50,000 Hour Lifetime Rating
- 5-Year Limited Warranty
- DLC Premium Listed
- UL / cUL Certified
- Operating Temperature: -22°F to 122°F (-30°C to 50°C)

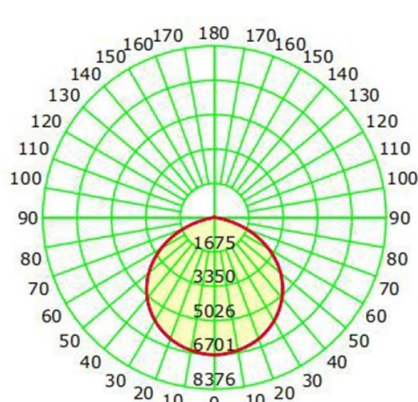
PRODUCT SPECIFICATIONS

MODEL	ITEM #	POWER (W)	LUMENS (LM)	CCT (K)	DIMENSIONS (IN) D x H	EFFICIENCY (Lm/W)	BEAM ANGLE
CLU11-150WSH1-BK50	L150W5KUFOHCL11	150	20,250	5000	Ø 11.73 x 7.44	135	110°

DIAGRAM



PHOTOMETRY



Flux Out: 14790, 67lm

Height	Avg./Nadir: E	Beam Angle: 114.8°	Diameter / Area
1.0m	1922.81/ 6697.87lx		3.13m / 7.69sq.m
2.0m	480.70/ 1674.47lx		6.26m / 30.77sq.m
3.0m	213.65/ 744.21lx		9.39m / 69.23sq.m
4.0m	120.18/ 418.62lx		12.52m / 123.08sq.m
5.0m	76.91/ 267.91lx		15.65m / 192.31sq.m
6.0m	53.41/ 186.05lx		18.78m / 276.92sq.m
7.0m	39.24/ 136.69lx		21.91m / 376.92sq.m
8.0m	30.04/ 104.65lx		25.04m / 492.30sq.m
9.0m	23.74/ 82.69lx		28.17m / 623.07sq.m
10.0m	19.23/ 66.98lx		31.30m / 769.22sq.m

