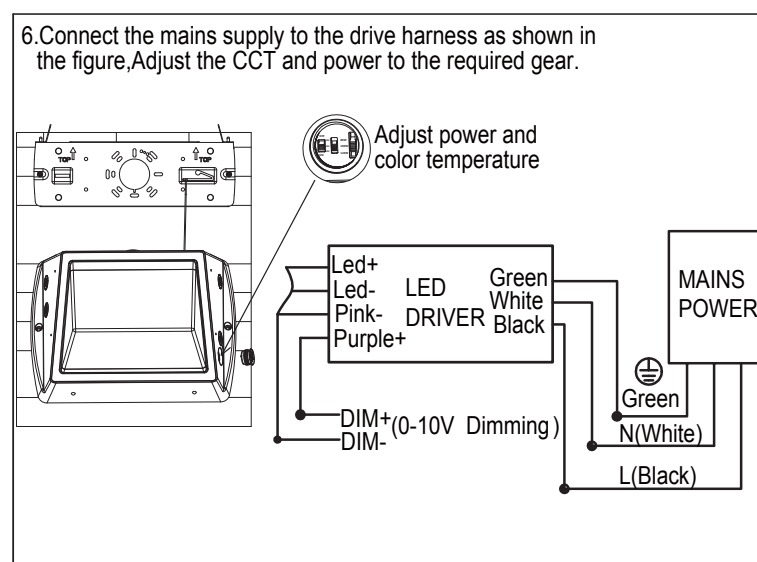
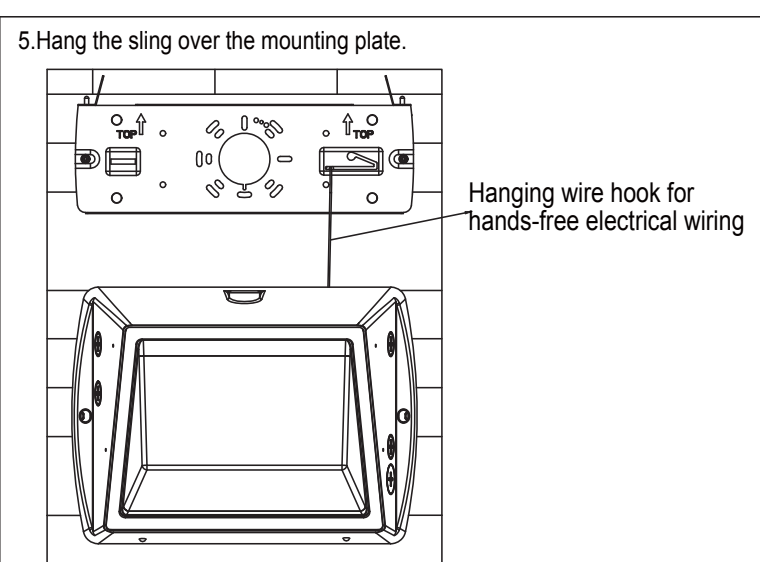
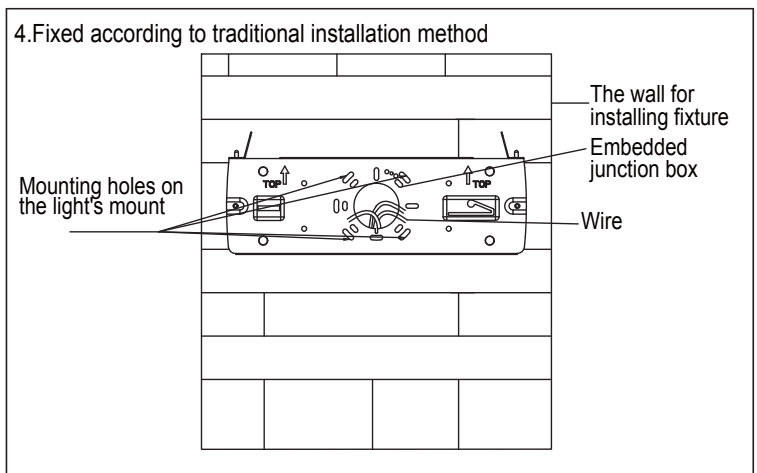
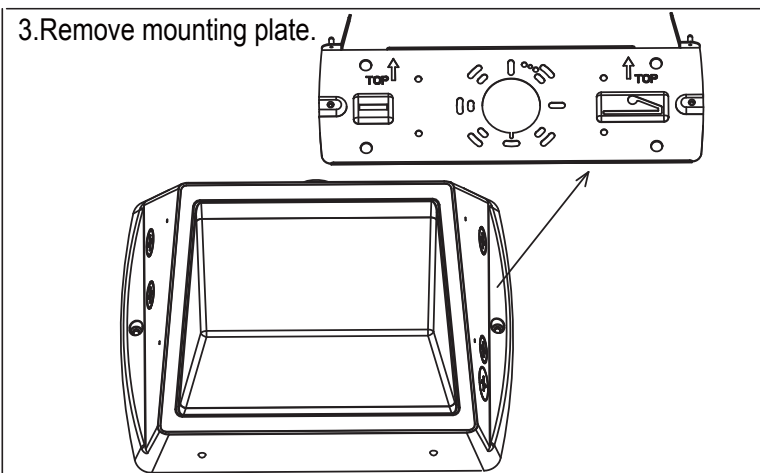
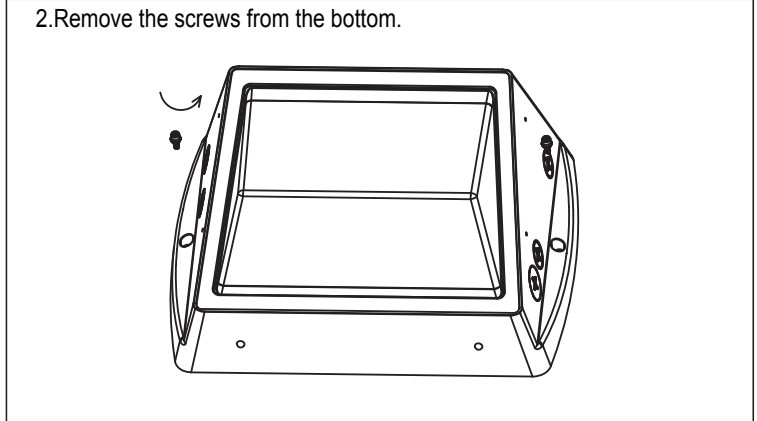
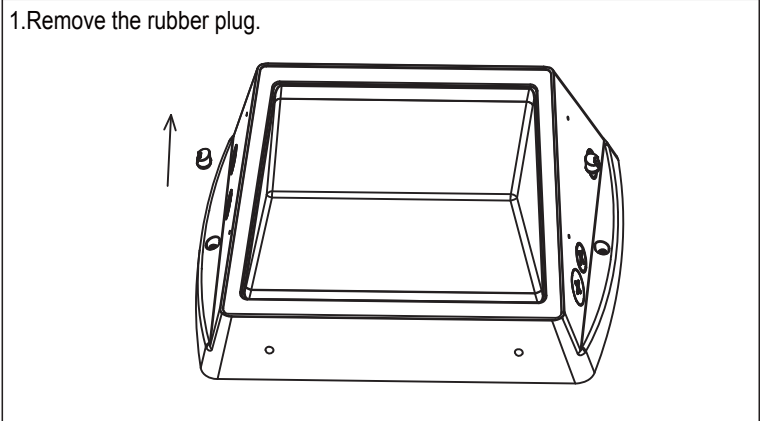


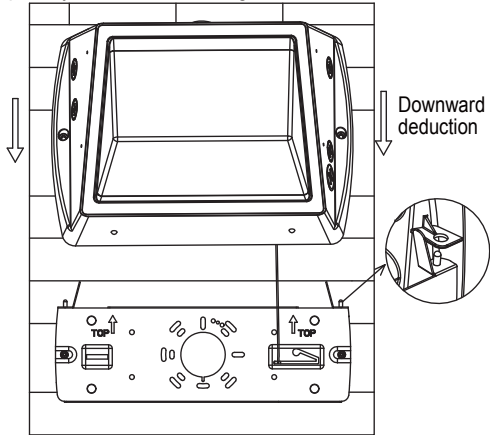
Installation Instructions CLW12-120W-H-TCP



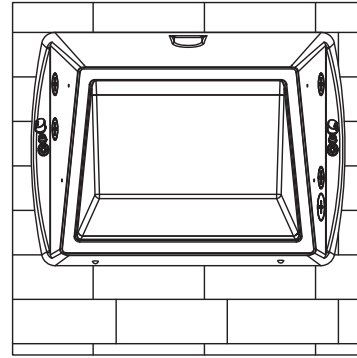
Installation Instructions (cont.)

CLW12-120W-H-TCP

7. Buckle the lamp body onto the mounting base



8. Install the cap screws and rubber plugs.



9. Fill the gap between the lamp and the wall with silicone sealant to prevent rainwater from entering the junction box.

