

- Thank you for purchasing our UFO Highbay. Please read the below articles carefully to see how to use this product safely.
- Warning contents and attention contents related to product safety use, please be sure to follow it.

**Warning**

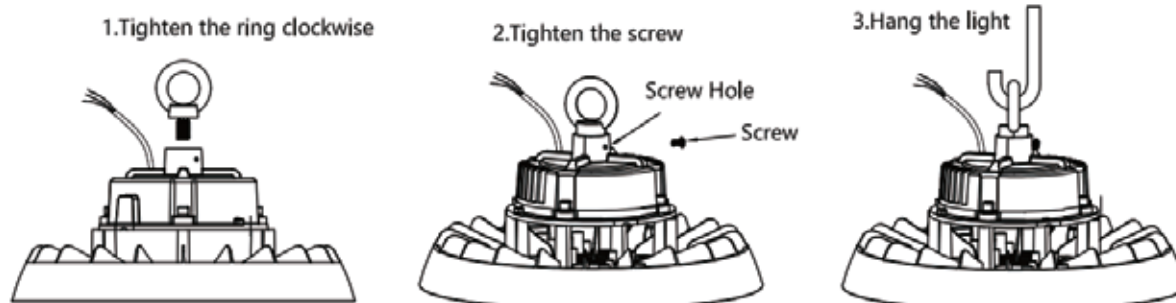
- This UFO High bay within the input voltage range:277-480VAC,50/60Hz.
- If input voltage exceeds this range, it may cause light failure. Please be sure to operate under correct input voltage.
- Ensure ambient operating temperature of -40°F(-40°C) through 122°F(50°C).
- Using this UFO High bay in temperatures outside of this range will reduce the UFO High bay lifespan.
- Make sure to turn off power before starting the installation process.

**Attention**

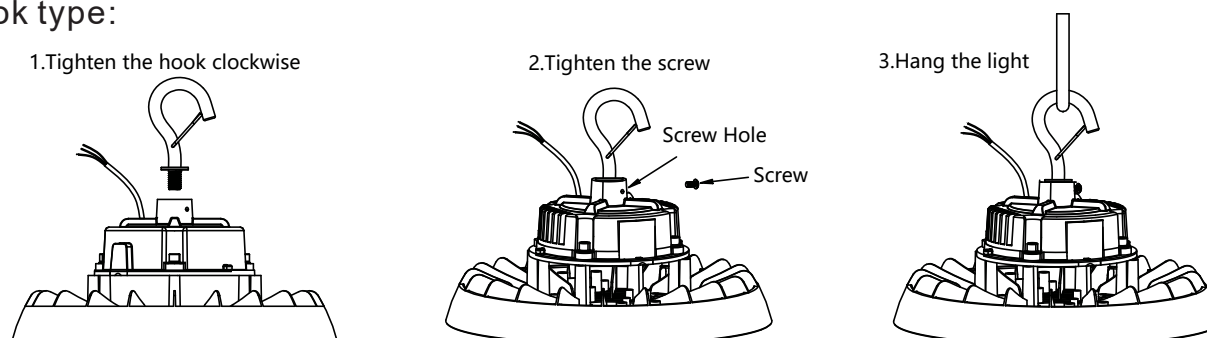
- IP rating: IP65, can work under wet locations.
- Please keep the UFO High bay away from any corrosive substance. When you clean it, please use damp or dry cloth.

## Installation Instruction

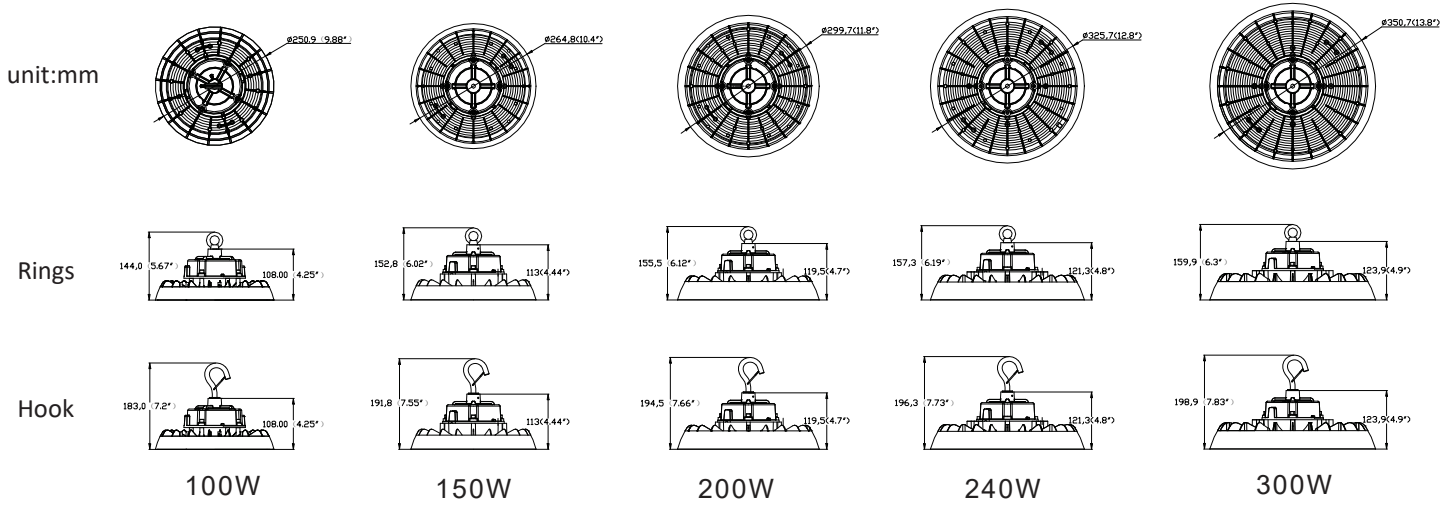
### 1. Rings type:



### 2. Hook type:



# Product Dimension



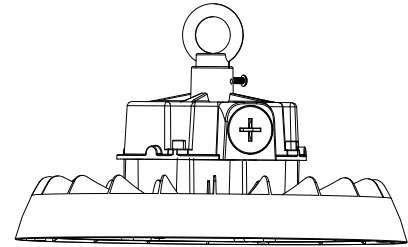
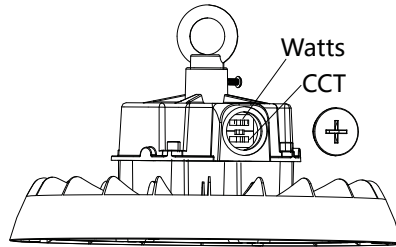
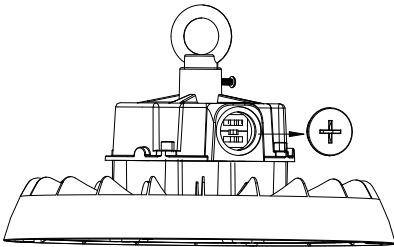
## CCT and Watts selected Operation Manual:

Minimum / Middle / Maximum wattage, WW /NW/CW (CCT:35K/40K/50K)  
 NW/CW (CCT:40K/50K)

1.Remove the rubber pad from the driver

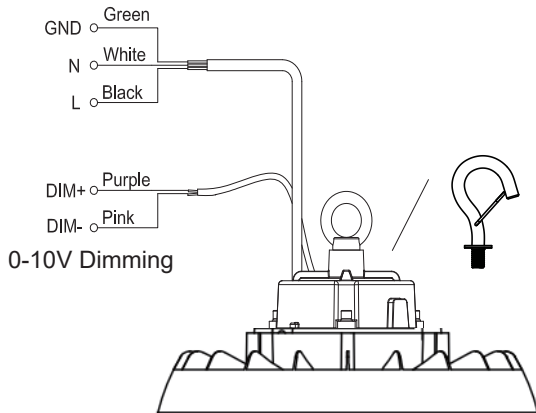
2.Use the slide switch to select wattage and CCT

3.Attach the rubber pad to the driver



## Wiring Connection

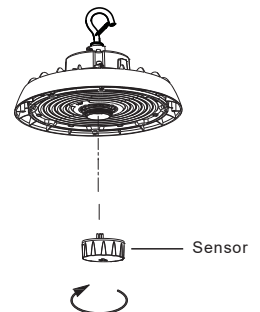
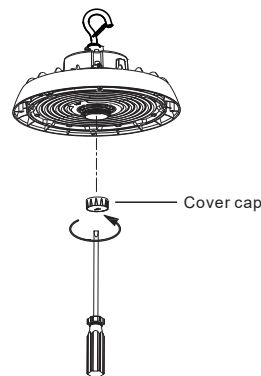
Turn off the power,connect AC wire.  
 black wire to L,white wire to N,and green wire to E.  
 Connect wires as below,Purple wire is DIM+ ,  
 Pink wire is DIM-



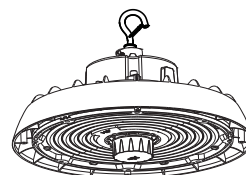
## Twist in sensor installation manual

1. Take out cover cap.

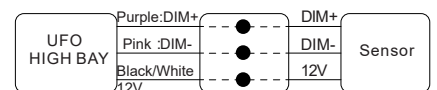
2. Twist in sensor.



3. Finished installation.



## Wiring Diagram



**Tip: The above content is for reference only, please take the real thing as the criterion.**

The Installation must be carried out by a qualified electrician.