

Installation Instruction

LED Back-lit Panel



PLEASE READ INSTRUCTIONS BEFORE STARTING INSTALLATION AND KEEP FOR FUTURE REFERENCE

Electrical products can cause death, injury, or damage to property. If in any doubt about the installation or use of this product, consult a qualified electrician.

WARNING

CAUTION: Before installing or performing maintenance, make sure the AC power to the fixture is off.

CAUTION: The electrical rating of this product is 120~277V. The installer must verify that the correct voltage is present at the fixture before installation.

- LED panels are not suitable for use in wet locations.
- Please keep the LED panel away from any corrosive substance, and please use dry cloth when you clean it.
- LED panel can only be installed by a qualified electrician.
- Risk of electrical shock. Do not open or remove covers.
- Use in dry or damp locations only. Not for use where exposed to weather.

IMPORTANT

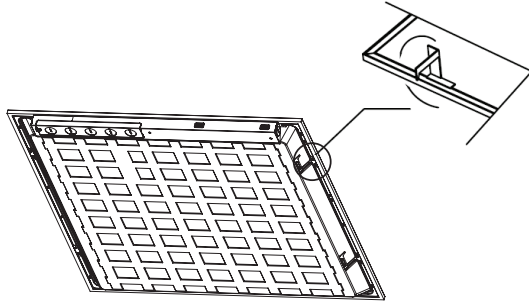
- Read instructions carefully before installation.
- Keep these instructions for future reference.
- The backlite LED panels must be wired in accordance with the National Electrical Code and all applicable local codes.
- Proper grounding is required for safety.

CAUTION

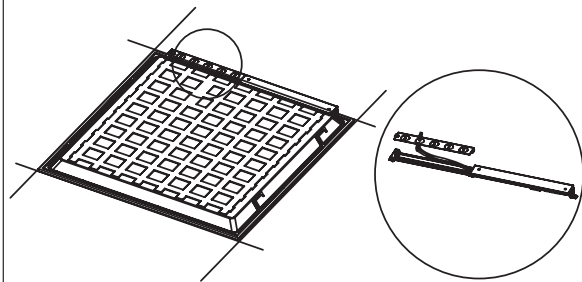
- Inherently protected.
- Access above ceiling required.
- Suitable for operation in ambient not exceeding 104°F.
- Do not press the diffuser with your fingers (when installing the panel light).

INSTALLATION GUIDE

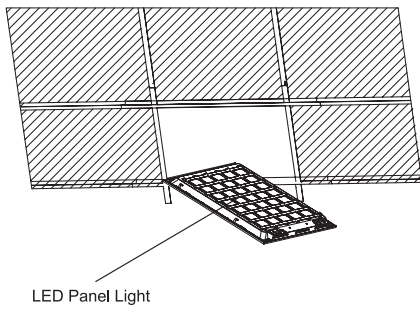
1. Remove the original ceiling tile for the Backlite LED Panel.



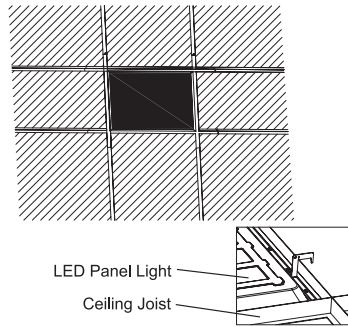
2. Turn off the electrical power then connect with Line (L), Neutral (N) and Ground (GND) wire leads.



3. Use the protective brackets for safety.

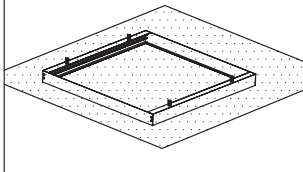


4. Adjust appropriate location in the T Bar.

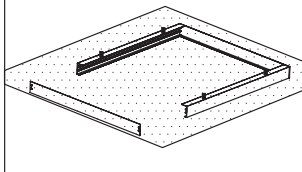


SURFACE MOUNT KIT INSTALLATION

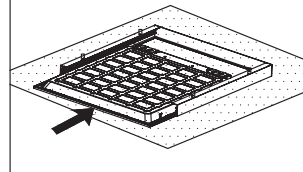
1. Turn off the electrical power then make sure the bracket is set with 4 frames.



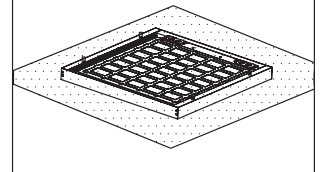
2. Fix 3 frames as a bracket and set on the ceiling as shown below.



3. Slow the Backlit Panel into the bracket set.



4. Fix last frame on the bracket set.



NOTE:

To adjust lumen output use switch on back of panel labeled Power Select.

To adjust color temperature settings use the switch on back of panel labeled Color Select.

WIRE CONNECTION

