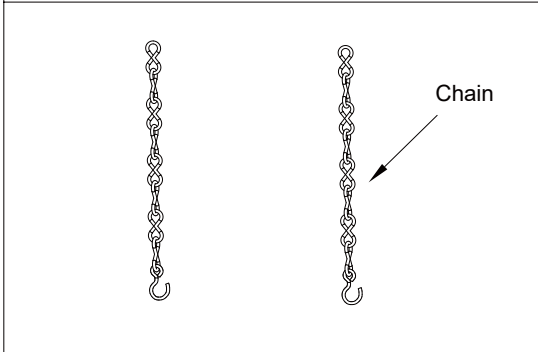
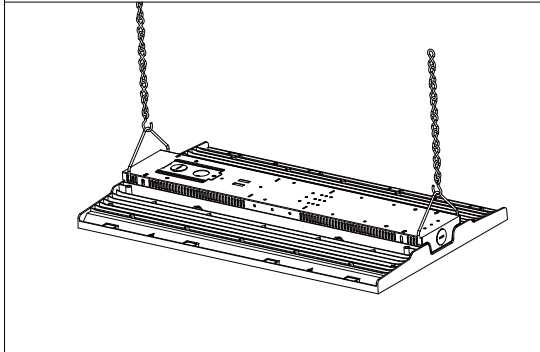


## Suspension Chain Mounting Installation

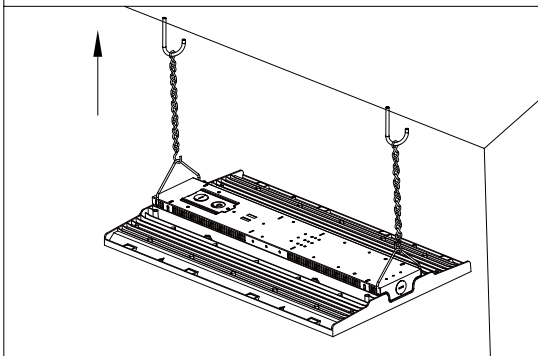
1. Hook the chain as below pic.



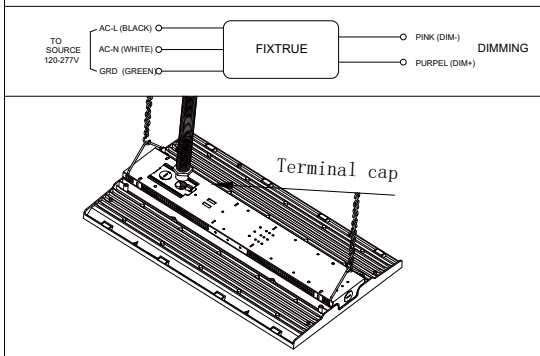
2. Attach v-shaped hanger to fixture by hooking it into holes on each side of fixture, then hook v-shaped hanger to chains to secure fixture.



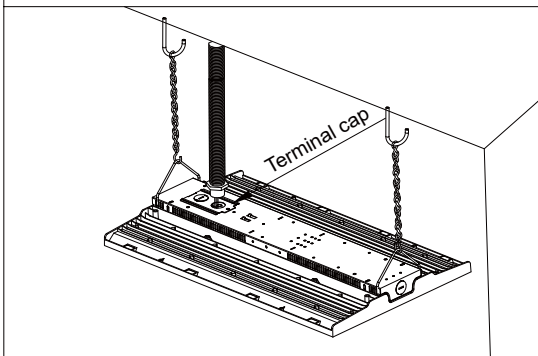
3. Hang the suspension chains on ceiling hooks.



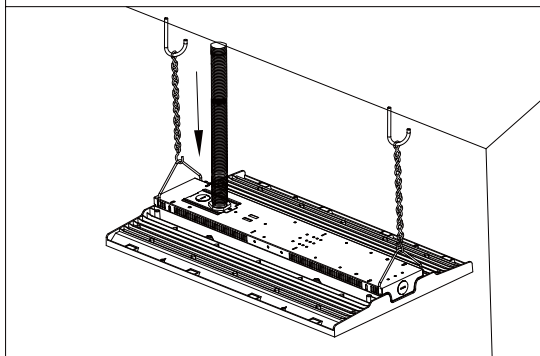
4. Switch off the supply power, connect wiring as below wiring instruction.



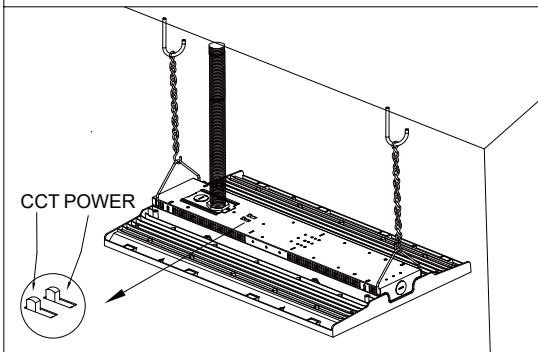
5. Insert the terminal cap and wires into the driver box.



6. Insert the wire terminal joint to the wire entry. Installation completed.

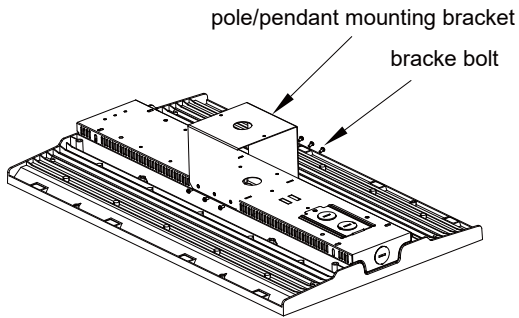


7. CCT/Power Changing.  
(The actual parameters of the luminaire shall prevail)

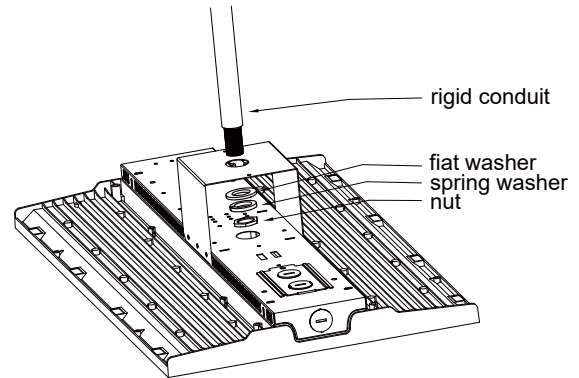


## Pole/Pendant Mounting Installation

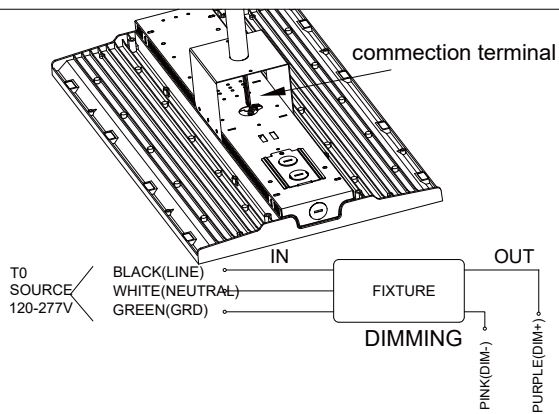
1. Attach the pole/pendant mounting bracket to the fixture using provided hardware.



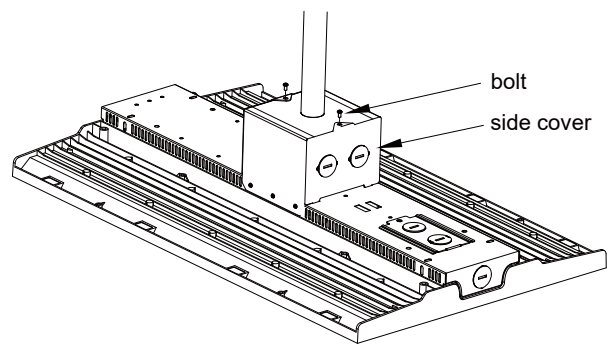
2. Lock the rigid conduit to the mounting bracket with flat washer + spring washer + nut.



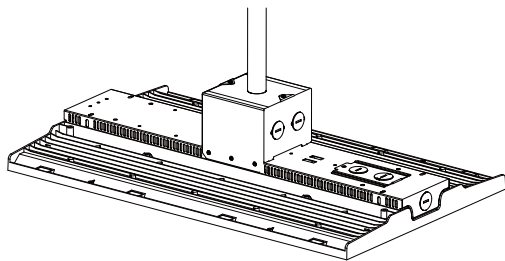
3. Switch off the supply power, connect wiring according to the wiring diagram.



4. Install side plates with bolts.



5. Pole/Pendant mounting completed.



6. CCT/Power Changing. (The actual parameters of the luminaire shall prevail)

