

# INSTALLATION INSTRUCTIONS



## CL97-17WPLABGSNF-00K - LED Hybrid 5 CCT Plug-In Tube

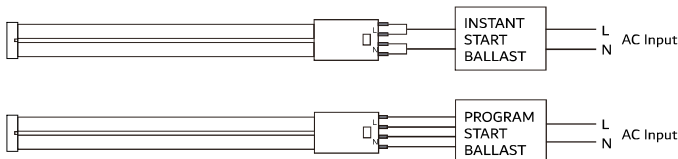
### NOTE:

- This device complies with Part 15 of FCC Rules. Operations is subject to the following two conditions: (1) this device may not cause harmful interference, and (2) this device must accept any interference received, including interference that may cause undesired operation.
- RISK OF FIRE OR ELECTRIC SHOCK - Please read and understand the detailed installation instructions before installing the 2G11 PLL LED Lamp.
- If the tube is installed as Type B, the luminaire, once modified as a retrofit fixture will no longer operate fluorescent lamps.
- 2G11 PLL LED Lamp are designed to work with electronic ballast (Check the ballast compatibility list) or work with AC direct wire double-end power input. This lamp is not rated for use with magnetic ballasts.
- DO NOT use where directly exposed to water or weather. Non-submersible (not water tight).
- Use in dry or damp locations only.
- NOT suitable for use with standard dimmers.
- Disable all power to the fixture before inspection, installation, or removal. Failure to do so will create a hazardous and fatal working environment.
- DO NOT open - No user serviceable parts inside.
- This lamp only supports the 2G11 lamp holder.

### WARNING

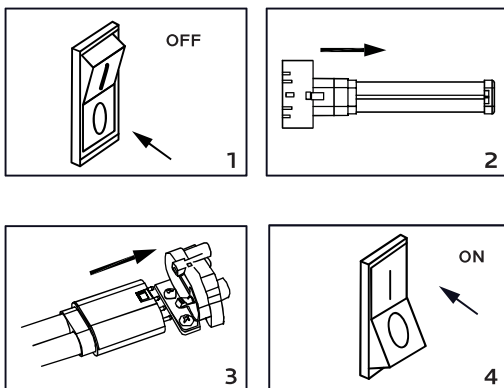
- RISK OF FIRE OR ELECTRIC SHOCK. LED RETROFIT KIT INSTALLATION REQUIRES KNOWLEDGE OF LUMINAIRE ELECTRICAL SYSTEMS. IF NOT, DO NOT ATTEMPT INSTALLATION. CONTACT A QUALIFIED ELECTRICIAN.
- RISK OF FIRE OR ELECTRIC SHOCK. INSTALL THIS KIT IN LUMINAIRE THAT HAVE THE CONSTRUCTION FEATURES AND DIMENSIONS SHOWN IN PRODUCT SPECIFICATION SHEET AND WHERE THE INPUT RATING OF THE RETROFIT KIT DOES NOT EXCEED THE INPUT RATING OF THE LUMINAIRE.
- TO PREVENT WIRING DAMAGE OR ABRASION, DO NOT EXPOSE WIRING TO EDGES OF SHEET METAL OR OTHER SHARP OBJECTS. THIS RETROFIT KIT IS ACCEPTED AS A COMPONENT OF A LUMINAIRE WHERE THE SUITABILITY OF THE COMBINATION SHALL BE DETERMINED BY AUTHORITIES HAVING JURISDICTION.
- THIS DEVICE IS NOT FOR EMERGENCY LIGHTING.
- DO NOT INSTALL THIS LAMP INTO LINE VOLTAGE.
- Do not make or alter any open holes in an enclosure of wiring or electrical components during kit installation.
- This device is not rated for use with magnetic fluorescent ballast.

### TYPE A - WIRING DIAGRAM



Ballast Compatible

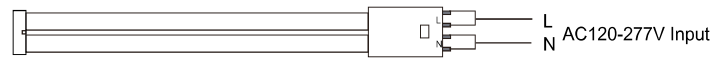
### TYPE A - INSTALLATION GUIDE



### INSTRUCTIONS:

1. Turn power off to the fixture.
2. Open the lampshade. Remove fluorescent tube from the fixture. (Make sure 2G11 socket is not damaged or broken. Do not make any modifications to ballast's wiring.)
3. Fix the led tube, insert the lamp cap and use clip to fix the tube.
4. Install the lampshade to turn on the power supply.

### TYPE B - WIRING DIAGRAM

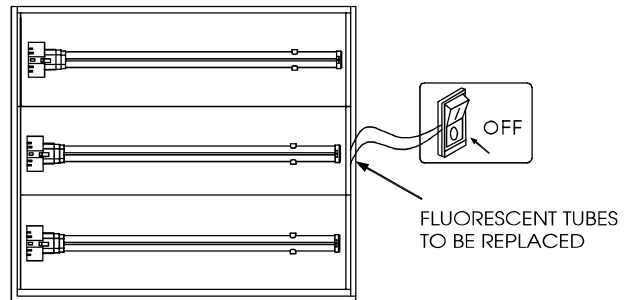


Ballast Bypass

### TYPE B - INSTALLATION GUIDE

#### INSTRUCTIONS:

1. DISCONNECT POWER TO LUMINAIRE



1. Turn power off to the fixture.
2. Open the lampshade. Remove fluorescent tube and ballast parts from the fixture. ( Make sure 2G11 socket is not damaged or broken.)
3. Fix the led tube, insert the lamp cap and use clip to fix the tube.
4. Connect the power cord to the terminal of the lamp tube.
5. After modification completed, attach the replacement marking and cautionary label to a visible place on the luminaire and keep it visible after installation.
6. Install the lampshade to turn on the power supply.

## AC120-277V Ballast Compatible List

No.	Ballast Brand	Model No.	Start Type	Compatible (Y/N/N/A)							
				1 LAMP		2 LAMPS		3 LAMPS		4 LAMPS	
				120VAC	277VAC	120VAC	277VAC	120VAC	277VAC	120VAC	277VAC
1	KEYSTONE	KTEB-254HO-UV-PS/A	Program Start	N	N	Y	Y	N/A	N/A	N/A	N/A
2	FULHM RACEHORSE	RHA-UNV-454-LT5	Program Start	Y	N	Y	Y	Y	Y	Y	Y
3	GE Current	GEC242-MVPS-3W	Program Start	Y	Y	Y	Y	N/A	N/A	N/A	N/A
4	Keystone	KTEB-242-UV-PS-DW	Program Start	Y	Y	Y	Y	N/A	N/A	N/A	N/A
5	Keystone	KTEB-242-UV-RS-DW	Rapid Start	N	N	Y	Y	N/A	N/A	N/A	N/A
6	GE Current	GEC226-MVPS-3W-L	Program Start	Y	Y	Y	Y	N/A	N/A	N/A	N/A
7	Triad	C2642UNVME	Rapid Start	Y	Y	Y	Y	N/A	N/A	N/A	N/A
8	OSRAM	QHE 2x54T5HO/UNV PSN	Program Rapid Start	Y	Y	Y	Y	N/A	N/A	N/A	N/A
9	FULHM RACEHORSE	RHA-UNV-254-LT5	Programmed Start	N	N/A	Y	N/A	N/A	N/A	N/A	N/A

## AC347V Ballast Compatible List

No.	Ballast Brand	Model No.	Start Type	Compatible (Y/N/N/A)			
				1 LAMP	2 LAMPS	3 LAMPS	4 LAMPS
				347VAC	347VAC	347VAC	347VAC
1	GE Current	GE254PS347/480-F	Program Start	N	Y	N/A	N/A
2	TRIAD	C2642/347ME	Program Start	Y	Y	N/A	N/A
3	PHILIPS ADVANCE	HCN-2S54-90C-WL	programmed Start	Y	Y	N/A	N/A

\*The presence of a ballast on this chart is not a guarantee of the compatibility of the bulb in any particular installation. Absence of a ballast on this chart does not imply incompatibility. Please reference the ballast manufacturer's instructions for installation and further information.